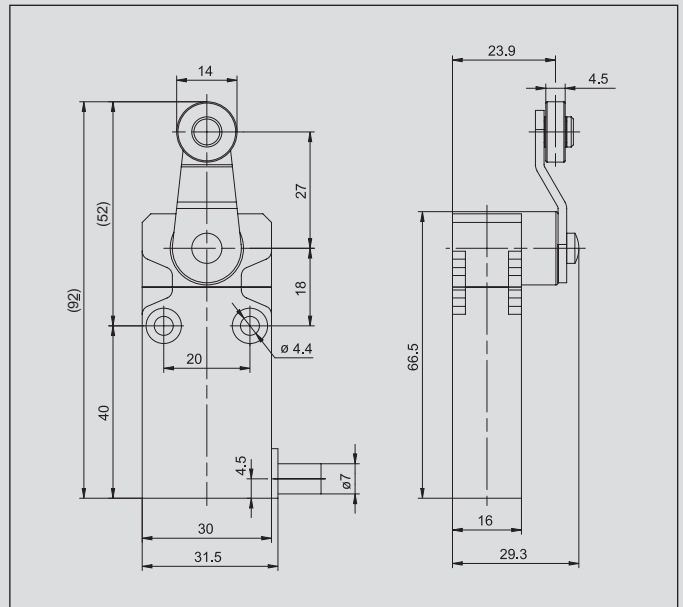


## I49



### Recommended use

With its slim design and full IP 67 protection the I49 switches are simply ideal for position monitoring and end position shutdown in safety applications.

### Product advantages

- Ultra-flat design
- Highly flexible deployment
- Reliability
- Simple and quick installation
- With 1 m fixed cable
- High quality plastic enclosure
- Small hysteresis in snap action system
- Compact IP 67 switch for safety applications

### Options

- Various cable lengths available on request

### Design layout

- Slow-action and snap-action contacts
- Versions: 1 NC / 1NO
- All NC contacts with  $\ominus$  in the circuit diagram are positively opening contacts
- Type: Zb (galvanically isolated changeover contact)

### Application examples

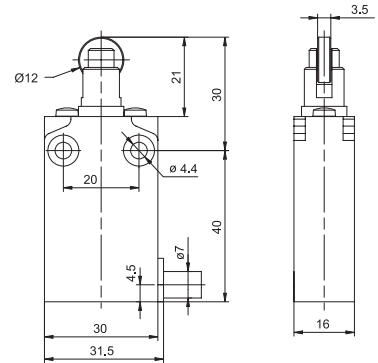
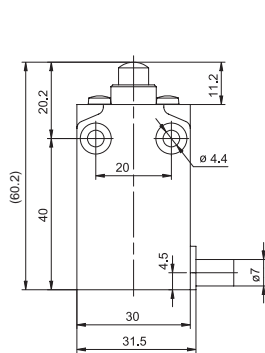
- Monitoring of safety gates, hatches or protective hoods
- Position monitoring of moving parts
- Object detection in conveying technology
- End position control of components
- Position monitoring on rolling doors
- Monitoring of sliding doors

### Technical data

Electrical data		
Rated insulation voltage	$U_i$ max.	400 V AC
Conventional thermal current	$I_{the}$	10 A
Rated operating voltage	$U_e$ max.	240 V
Utilisation category		AC-15; 24 V / 10 A; 240 V / 3 A
Protection class		II, Insulated
Mechanical data		
Ambient temperature		-25 °C to +70 °C (Connection cable installed)
Mechanical service life		10 x 10 <sup>6</sup> switching cycles
Switching frequency		≤ 60/min.
Type of connection		Cable 4 x 0.75 mm <sup>2</sup>
Protection class		IP67 conforming to EN 60529; DIN VDE 0470 T1
Standards		
VDE 0660 T100, DIN EN 60947-1, IEC 60947-1		
VDE 0660 T200, DIN EN 60947-5-1, IEC 60947-5-1		

IW

RIW



Switching operation

Slow-action

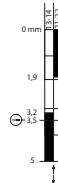
Snap-action

Slow-action

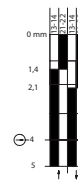
Snap-action

1 NC / 1 NO contact

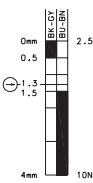
6089102049  
I49-U1Z IW



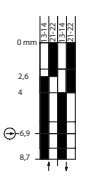
6089152048  
I49-SU1Z IW



6089117053  
I49-U1Z RIW



6089167052  
I49-SU1Z RIW



2 NC contacts

2 NO contacts

1 NC / 1 NO contact  
Overlapping

Approvals



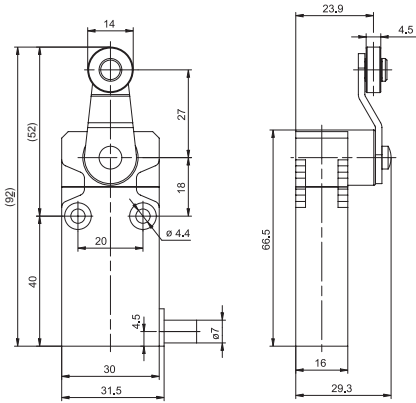
Replacement actuator: -

Replacement actuator: -

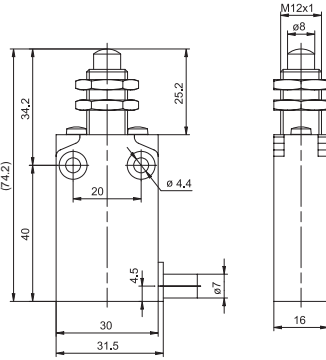
Special features / variants  
(on request)

Special features / variants  
(on request)

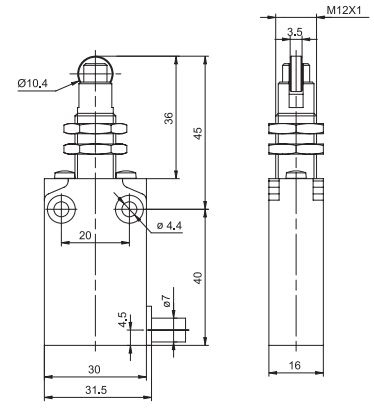
**AH**



**IWF**



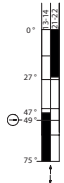
**RIWF**



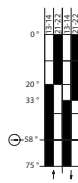
**Slow-action**

**Snap-action**

**6089135057**  
I49-U1Z AH



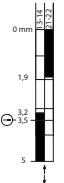
**6089185056**  
I49-SU1Z AH



**Slow-action**

**Snap-action**

**6089102051**  
I49-U1Z IWF



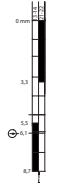
**6089152050**  
I49-SU1Z IWF



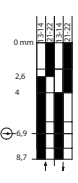
**Slow-action**

**Snap-action**

**6089117055**  
I49-U1Z RIWF



**6089167054**  
I49-SU1Z RIWF



Replacement actuator: –

**Special features / variants**

(on request)



Replacement actuator: –

**Special features / variants**

- Front mounting



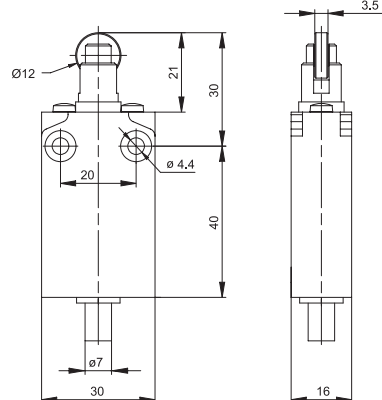
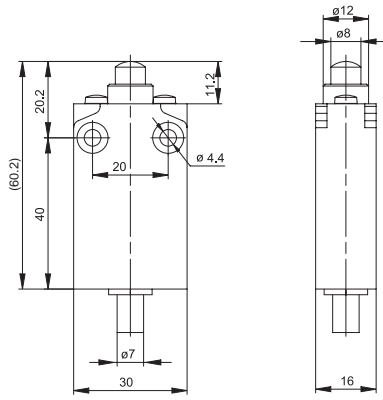
Replacement actuator: –

**Special features / variants**

- Front mounting

**IW**

**RIW**



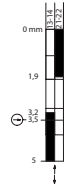
**Switching operation**

**Slow-action      Snap-action**

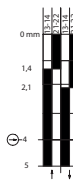
**Slow-action      Snap-action**

1 NC / 1 NO contact

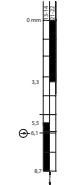
**6089102059**  
I49-U1Z IW Z



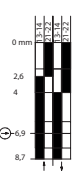
**6089152058**  
I49-SU1Z IW Z



**6089117061**  
I49-U1Z RIW Z



**6089167060**  
I49-SU1Z RIW Z



2 NC contacts

2 NO contacts

1 NC / 1 NO contact  
Overlapping

Approvals



Replacement actuator: –

Replacement actuator: –

**Special features / variants**

- Vertical cable outlet

**Special features / variants**

- Vertical cable outlet